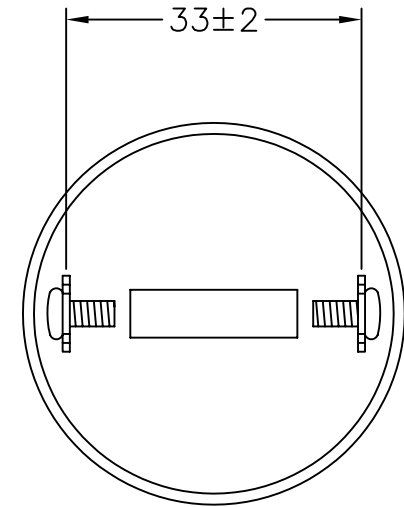
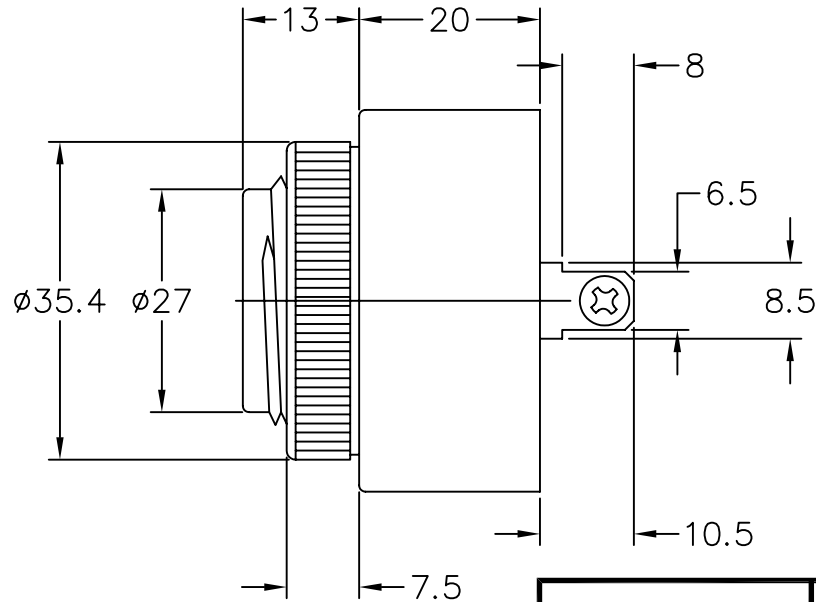
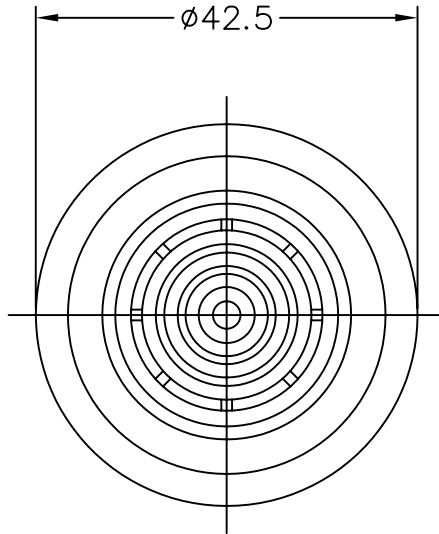


THIS DOCUMENT CONTAINS DATA PROPRIETARY TO PROJECTS UNLIMITED, INC. ANY USE OR REPRODUCTION, IN ANY FORM, WITHOUT PRIOR WRITTEN PERMISSION OF PROJECTS UNLIMITED, INC. IS PROHIBITED.
 © 2005, Projects Unlimited Inc.

SPECIFICATIONS

PARAMETERS	VALUES	UNITS
RATED VOLTAGE	110	Vac
OPERATING VOLTAGE RANGE	30 ~ 120	Vdc/Vac
RATED CURRENT (MAX)	17	mA
MINIMUM SPL @ 10 CM	98	dBA
RESONANT FREQUENCY	2800±500	Hz
TONE OR PULSE RATE	CONTINUOUS	0 PULSE PER SECOND
OPERATING TEMPERATURE	-30 ~ +85	°C
STORAGE TEMPERATURE	-40 ~ +95	°C
HOUSING MATERIAL	ABS	-
TERMINAL MATERIAL	Sn PLATED BRONZE	-
WEIGHT	34	grams

REVISIONS			
LTR	DESCRIPTION	DATE	APPROVED
-	RELEASED FROM ENGINEERING	9/18/06	



NOTES:

1. ALL DIMENSIONS ARE IN MILLIMETERS.
2. SPECIFICATION SUBJECT TO CHANGE OR WITHDRAWAL WITHOUT NOTICE.
3. THIS PART IS RoHS 2002/95/EC COMPLIANT.

FILE NAME
AI-4328-P-C120-R.DWG

UNLESS OTHERWISE SPECIFIED:
DIMENSIONS ARE IN MILLIMETERS, TOLERANCES ARE ±0.5 AND ANGLES ARE ±3°.

APPROVALS	DATE
DRAWN <i>J.D.</i>	9/06
CHECKED <i>B.R.</i>	9/06
APPROVED <i>R.W.</i>	9/06

DO NOT SCALE DRAWING



projects®
unlimited

Dayton, Ohio

INDICATOR

SIZE
A

DRAWING NO.
AI-4328-P-C120-R

SCALE: N.T.S.

SHEET 1 OF 1